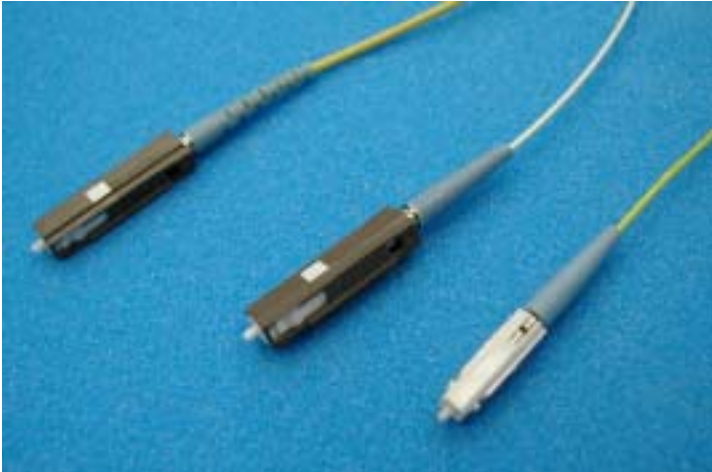




MU Connector

SFF Connector for high density Interconnections



MU Connector is compact size single fiber Connector with 1.25mm diameter Ferrule to realize high density Interconnections. Sumitomo can support various high density applications by MU Connector Assemblies with wide range of Optical Fiber Cords.

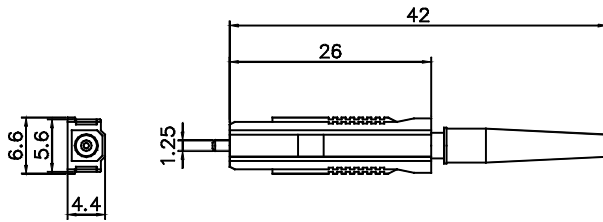
Features

- Small Form Factor (SFF) Connector with 1.25mm diameter Ferrule
- Various Optical Fiber Cord types available
- Reliable quality by more than 5 years Sumitomo's experience
- Housing removed type (MUJ) available

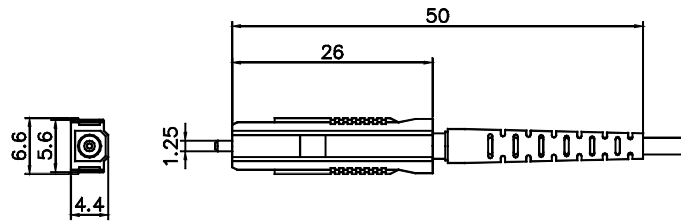
Specifications

Fiber Type	SM	MM(50), MM(62.5)
Polishing	UPC	PC
Insertion Loss	Standard Loss: $\leq 0.3\text{dB}$ Low Loss: $\leq 0.15\text{dB}$	$\leq 0.3\text{dB}$
Return Loss	$\geq 55\text{dB}$	$\geq 25\text{dB}$
Cable Type	250um Fiber, 900um Tight Buffer 1.1mm Cord, 1.6mm Cord, 2mm Cord 1.6x3.4mm Zipcord, 2x4mm Zipcord	
Adapter	Simplex, Duplex	

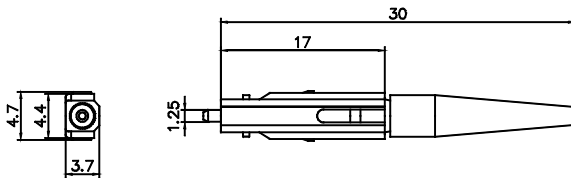
Dimensions



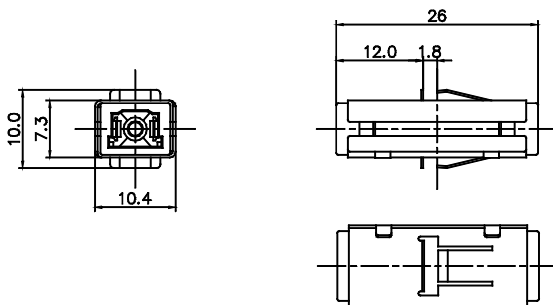
MU Connector for
250um/900um fiber



MU Connector for
1.1/1.6/2.0mm cord



MUJ Connector



MU Simplex Adapter