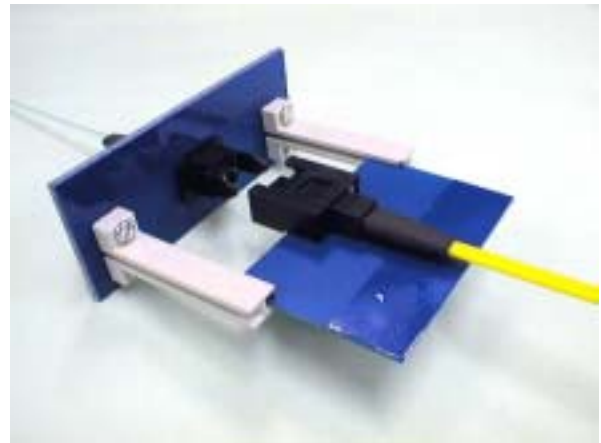




SUMITOMO'S LIGHTRAY MPX™

Multi-fiber Connector for high density Interconnections



Sumitomo's LIGHTRAY MPX™ realizes high density interconnection by MT Ferrule with Fiber Ribbon. Sumitomo offers various LIGHTRAY MPX™ Cable Assemblies including Low Loss type as the pioneer of MT Ferrule applications.

Features

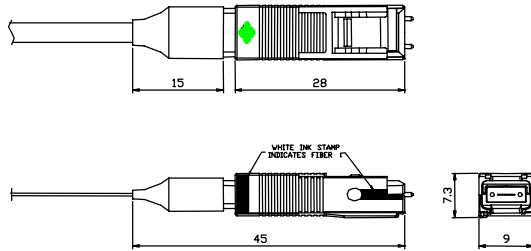
- MT based Multi-fiber Connector up to 12 fibers
- Ideal for Backplane Interconnection
- Reliable quality by more than 10 years Sumitomo's MT experience
- Low loss grade ($\leq 0.35\text{dB}$) available (SM, MM)

Specifications

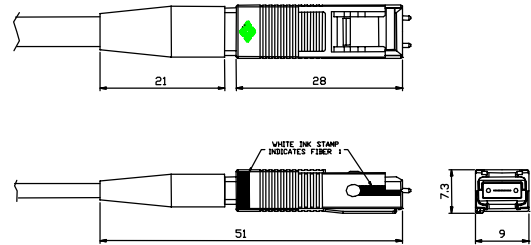
Fiber Type	SM	MM(50), MM(62.5)
Fiber Count	4, 8, 12	4, 8, 12
Polishing	Angled PC	Flat PC (Angled PC available)
Insertion Loss (with master plug)	Standard Loss: $\leq 0.75\text{dB}$ Low Loss: $\leq 0.35\text{dB}$	Standard Loss: $\leq 0.75\text{dB}$ Low Loss: $\leq 0.35\text{dB}$
Return Loss	$\geq 55\text{dB}$	-
Reliability	Telcordia-GR-1435-CORE	
Cable Type	Fiber Ribbon, Ribbon Cord	
Adapter	Bulkhead: Simplex Backplane: Simplex, Quad	

LIGHTRAY MPX™ is a trademark of The Whitaker Corp, an affiliate of Tyco Electronics Corp.

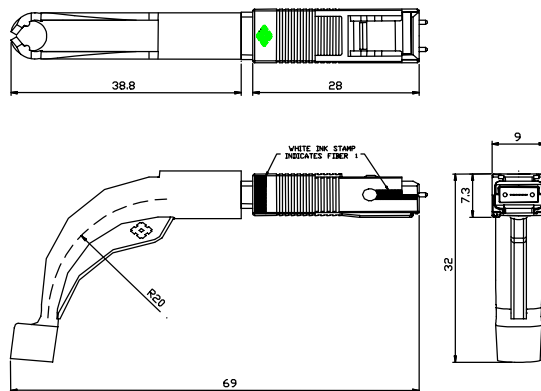
Dimensions



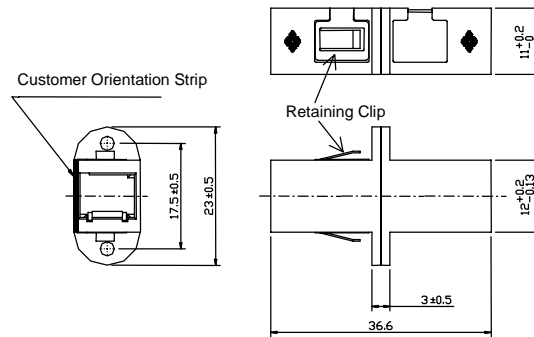
Sumitomo's LIGHTRAY MPX™
for Fiber Ribbon



Sumitomo's LIGHTRAY MPX™
for Ribbon Cord



Sumitomo's LIGHTRA MPX™
with Rotational Boot



Sumitomo's LIGHTRAY MPX™
Bulkhead Simplex Adapter