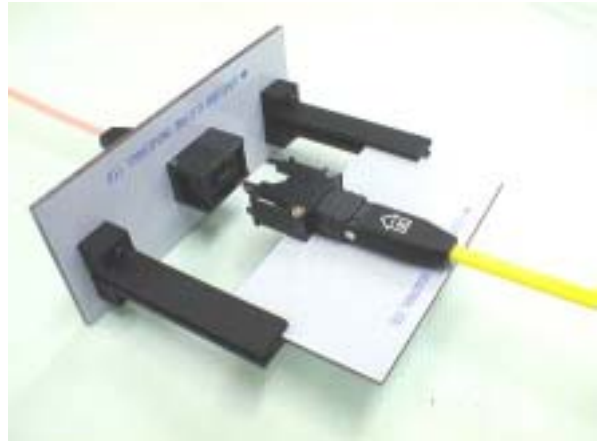




# MPO Connector

*Multi-fiber Connector for high density Interconnections*



MPO Connector realizes high density interconnection by MT Ferrule with Fiber Ribbon. Sumitomo offers various MPO Cable Assemblies including Low Loss type as its pioneer with more than 10 years experience.

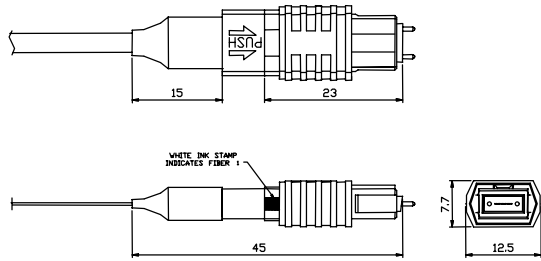
## Features

- MT based Multi-fiber Connector up to 12 fibers
- Adopted to VSR interface
- Reliable quality by more than 10 years Sumitomo's experience
- Low loss grade ( $\leq 0.35\text{dB}$ ) available (SM, MM)

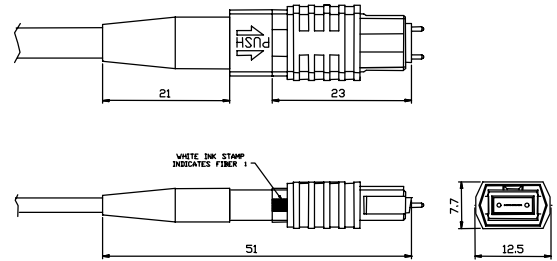
## Specifications

Fiber Type	SM	MM(50), MM(62.5)
Fiber Count	4, 8, 12	4, 8, 12
Polishing	Angled PC	Flat PC (Angled PC available)
Insertion Loss (with master plug)	Standard Loss: $\leq 0.75\text{dB}$ Low Loss: $\leq 0.35\text{dB}$	Standard Loss: $\leq 0.75\text{dB}$ Low Loss: $\leq 0.35\text{dB}$
Return Loss	$\geq 55\text{dB}$	-
Reliability	Telcordia-GR-1435-CORE	
Cable Type	Fiber Ribbon, Ribbon Cord	
Adapter	Bulkhead: Simplex Backplane: Simplex, Quad	

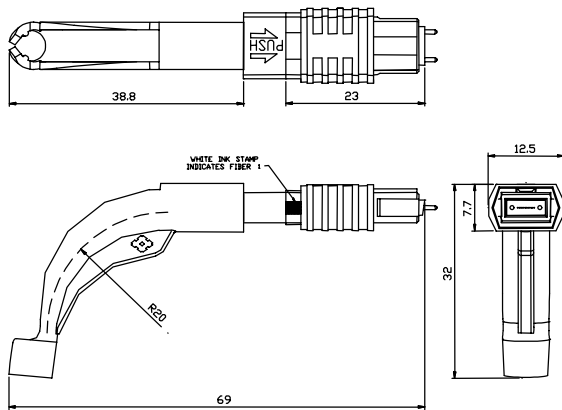
# Dimensions



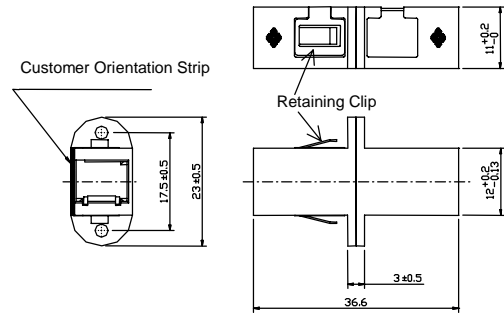
MPO Connector for Fiber Ribbon



MPO Connector for Ribbon Cord



MPO Connector with Rotational Boot



MPO Bulkhead Simplex Adapter