



# FC Connector

*Single-fiber Connector for various applications*



FC Connector is one of the most popular Single-fiber Connector with 2.5mm diameter Ferrule for various Telecom and Datacom applications. Sumitomo offers wide range of FC Connector Assemblies including with various Optical Fiber Cord types.

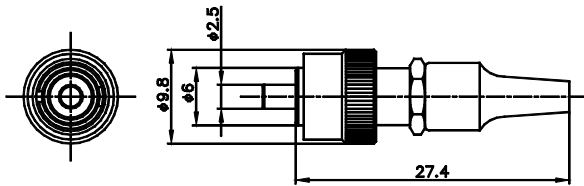
## Features

- Long favored Single-fiber Connector with 2.5mm diameter Ferrule
- Various Optical Fiber Cord types available
- Angled PC available

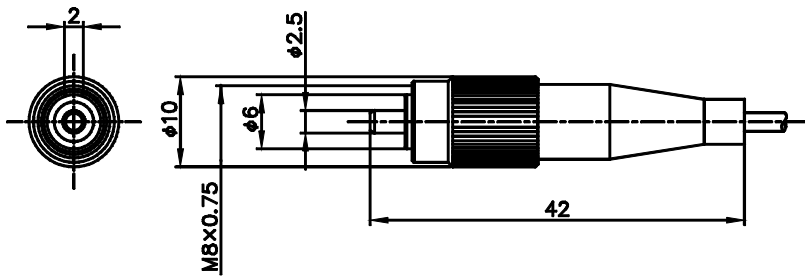
## Specifications

Fiber Type	SM		MM(50), MM(62.5)
Polishing	UPC	APC	PC
Insertion Loss	Standard Loss: $\leq 0.3\text{dB}$ Low Loss: $\leq 0.15\text{dB}$	Standard Loss: $\leq 0.5\text{dB}$ Low Loss: $\leq 0.3\text{dB}$	$\leq 0.3\text{dB}$
Return Loss	$\geq 55\text{dB}$	$\geq 60\text{dB}$	$\geq 25\text{dB}$
Cable Type	250um Fiber, 900um Tight Buffer 1.6mm Cord, 2mm Cord 1.6x3.4mm Zipcord, 2x4mm Zipcord		
Adapter	Simplex		

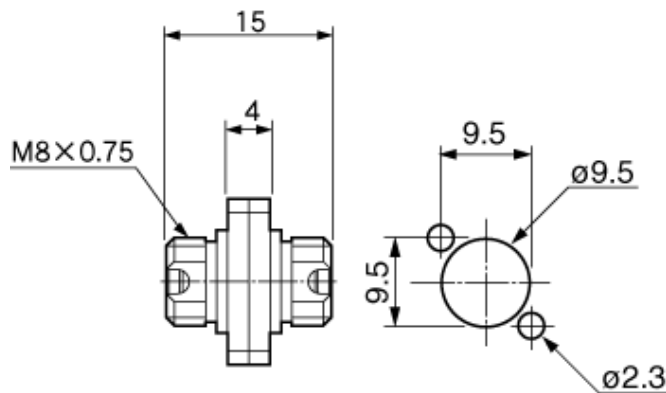
## Dimensions



FC Connector for  
250um/900um fiber



FC Connector for  
1.6mm/2.0mm cord



FC-FC Adapter